

A171-UG-BF Series

BARRIER-FREE, WALL MOUNTED, DRINKING FOUNTAIN WITH PUSHBUTTON OR SENSOR OPERATED BOTTLE FILLER

STANDARD FEATURES

Drinking Fountain

- Child or Adult ADA Compliant (When Properly Installed)
- Apron and One-Piece Bottom Wrapper is Satin Finish Or Gray Powder Coat Finish
- Flexible, Low Flow, Antimicrobial, Anti-Rotation, Non-Squirt Bubbler
- Auto-Stop Allows Cartridge and Strainer Service Without Removing Drinking Fountain Deck To Access Water Supply Stop
- Lead Free
- Rough-Ins Match Other Manufacturer's for Easy Replacement

Bottle Filler

- Hands-Free Sensor Operation or Pushbutton Operated
- ADA Compliant
- 100-Mesh Inlet Strainer
- 120VAC/9.0VDC Plug-In Transformer, With -BF12 Only
- Laminar Flow Water Supply
- 1 GPM Fill Rate
- -BF12 Sensor Has a 20 Seconds Maximum Run Time

SUGGESTED SPECIFICATIONS

Drinking Fountain

Model A171100F-UG-BF is a self-contained Drinking Fountain. Unit shall be activated from a front Pushbutton using less than 5 pounds of force. Bubbler shall deliver a 0.3 GPM flow, have a Flexible Guard with an integrally designed non-squirt feature and operate on a water pressure range of 20-105 PSIG. Basin shall be constructed from 304 Stainless Steel and have an Integral Drain. Cabinet shall be either Galvanized or Galvannealed Steel with Gray Powder Coat Finish or Stainless Steel with Satin Finish. Optional -WF1 has a 1500-Gallon Capacity, has NSF/ANSI 42 & 53 certification and reduces Lead content in the drinking water by 99%. Unit is certified to ANSI A117.1, Public Law 111-380 (NO-LEAD), CHSC 116875 and NSF/ANSI 61, Section 9. Fixture meets ADA, ADA Standing Person, and ADA Child requirements when mounted appropriately.

Bottle Filler -BF11

Bottle Filling unit shall include Pushbutton Operated activation.

Bottle Filler -BF12

Bottle Filling unit shall include Sensor Operated activation with a 20 second maximum run time. LED Lights illuminate the Bottle Fill area and brighten when a bottle is detected. Optional -BCD (Bottle Counter Display) indicates the quantity of 16 oz disposable Plastic Bottles saved from a land fill and also displays the Water Filter status.

Bottle Filler housing construction will be 20 gauge Stainless Steel with a satin finish and will also include components manufactured from Antimicrobial, impact resistant ABS. Bottle Filler shall provide approximately 1 GPM flow rate with a Laminar Flow Spout to minimize splashing.

Complies with the following standards:



NSF/ANSI 61



H₂O
to go!



Model A171400F-UG-BF11 Shown
PATENT# 10,100,933
PATENT# D873,606



Maintenance Advantage[®]
Water Cooler by Murdock Manufacturing

"RATED FOR INDOOR USE"

MODEL:

(Must Specify)

FLEXIBLE BUBBLER

- A171100F-UG Gray Finish Cooler w/ Satin Stainless Finish Bottle Filler (Standard)
- A171400F-UG Satin Stainless Finish (Shown)

STAINLESS STEEL BUBBLER

- A171100S-UG Gray Finish Cooler w/ Satin Stainless Finish Bottle Filler
- A171400S-UG Satin Stainless Finish

MUST SPECIFY BOTTLE FILLER:

- BF11 Bottle Filler with Pushbutton Operation
- BF12 Bottle Filler with Sensor Operation
- BF12-BAT Bottle Filler with Battery Operated Sensor Operation
- BF12-BCD Bottle Filler with Sensor Operation with Bottle Counter Display

DRINKING FOUNTAIN OPTIONS:

(additional costs may apply)

- CSC5 Concealed Support Carrier
- LOGO Customer Specified Logo / Graphics
- DD Drop Down Door (with -WF1 Only)
- WF1 1500-Gallon Capacity, NSF 42+53, 1-Micron Lead Reduction Filter
- WF3 3000-Gallon Capacity, NSF 42+53, 1-Micron Lead Reduction Filter



Member of
U.S. Green
Building
Council



Recyclable
Product

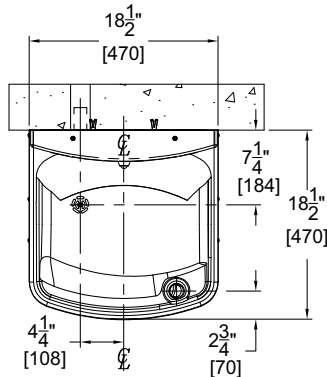


Water
Conserving
Product

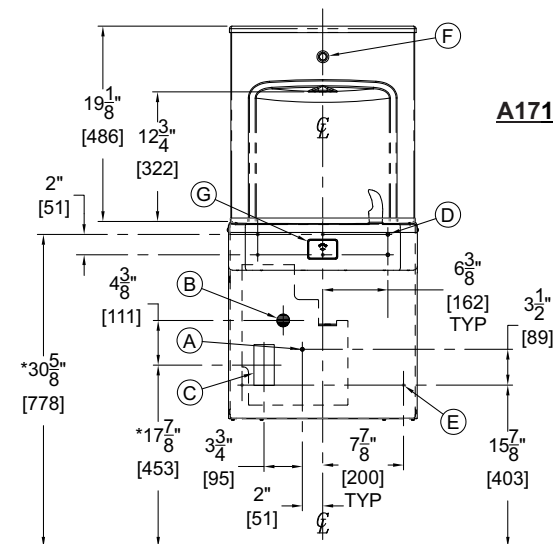
WARNING: Cancer and Reproductive Harm - www.P65Warnings.ca.gov

A171-UG-BF Series

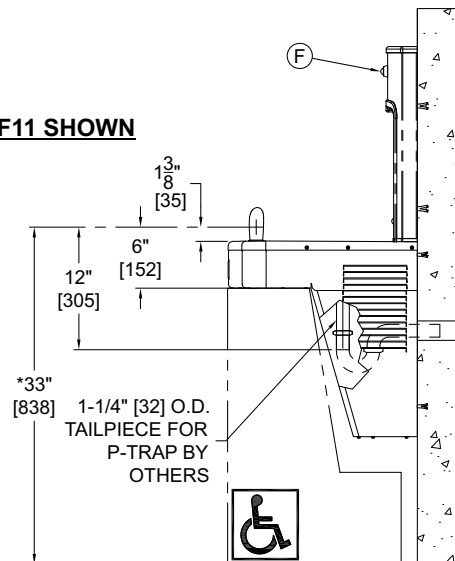
BARRIER-FREE, WALL MOUNTED, DRINKING FOUNTAIN WITH PUSHBUTTON OR SENSOR OPERATED BOTTLE FILLER



- A. 3/8" O.D. SUPPLY INLET
- B. WASTE OUTLET FOR P-TRAP BY OTHERS FOR PROVIDED 1-1/4" O.D. TAILPIECE
- C. ELECTRICAL SERVICE ROUGH-IN FOR -BF12
- D. Ø3/8" HANGER BRACKET PUNCHING, 6 PLACES FOR ANCHORING HARDWARE BY OTHERS
- E. Ø1/4" PUNCHING, 2 PLACES FOR ANCHORING HARDWARE BY OTHERS
- F. BOTTLE FILLER PUSHBUTTON
- G. PUSHBUTTON CARTRIDGE



A171100F-UG-BF11 SHOWN



SIDE VIEW

GENERAL NOTES:

1. ALL DIMENSIONS ARE IN INCHES [MM]
- *2. DIMENSIONS SHOWN ARE FOR ADA ADULT HEIGHT. ADJUST VERTICAL DIMENSIONS AS NECESSARY TO COMPLY WITH FEDERAL, STATE, & LOCAL CODES
3. STOP VALVE, P-TRAP, & ELECTRICAL OUTLET NOT SUPPLIED
4. IMPORTANT: DRINKING FOUNTAIN MUST BE ATTACHED TO WALL WITH APPROPRIATE ANCHOR SCREWS

Murdock Mfg.™ warrants that its products are free from defects in material or workmanship under normal use and service for a period of 18 months from date of shipment. The sealed refrigeration system is warranted for five years. Murdock's liability under this warranty shall be discharged solely by replacement or repair of defective material, provided Murdock™ is notified in writing within one year from date of shipment, F.O.B. Industry, California.

SELECTION SUMMARY & APPROVAL FOR MANUFACTURING

Model Number & Options _____ Quantity _____

Company _____

Contact _____ Title _____

Signature (Approval for Manufacturing) _____ Date _____

All dimensions are subject to manufactures tolerance of plus or minus 1/2" nominal and subject to change without notice. Murdock assumes no responsibility for use of void or superseded data. Dimensions may change with the addition of optional accessories. Murdock Mfg.™, Member of Morris Group International™. Please visit www.murdockmfg.com for most current specifications.